



**Closed Top
Tanks**

Fermenter's Choice Stainless Ltd.

Closed Top Fermentation Tanks



Closed top tanks are fully customizable and available as:

Red fermenters with a bottom cleanout door and optional side racking door

White fermenters with an optional side racking door

Heating / Cooling Jacket surface areas are maximized to provide optimum heating and cooling abilities. Larger tanks available with dual zone jackets

Features

- 304/316 Stainless Steel
- 2B Interior/Exterior finish
- Polished finish available
- Sloped or Conical floor
- Riser with clean-in-place ball
- Optional internal filter screen
- Optional side racking door
- Optional bottom cleanout door
- Sample Valve, racking valve
- Thermowell with Thermometer
- Leg height customizable

Dimension Data - Closed Top Tanks					
Capacity		Shell Diameter	Shell Height	Total Height	Total Height
HL	Gal	mm	mm	mm	ft
20	530	1270	1610	2600	8'6"
30	800	1500	1830	3000	9'10"
50	1300	1600	2440	3650	12'0"
80	2100	1820	3050	4150	13'7"
100	2600	1900	3600	4650	15'3"
150	4000	2000	4880	5950	19'6"
200	5200	2300	4880	6100	20'0"
250	6600	2600	4880	6200	20'4"
300	7900	2600	5500	6550	21'6"
400	10500	2900	6100	7400	24'3"
500	13000	3200	6100	7600	25'0"
600	15800	3300	7000	7830	25'8"
800	21100	3800	7320	8300	27'3"
1000	26000	4000	8000	13000	43'0"

Custom designs available to your specifications

Fermenter's Choice Stainless Ltd.

Closed Top Fermentation Tanks



Fermenter's Choice Stainless Ltd.

100 HL 2650 Gallon Closed Top Tank

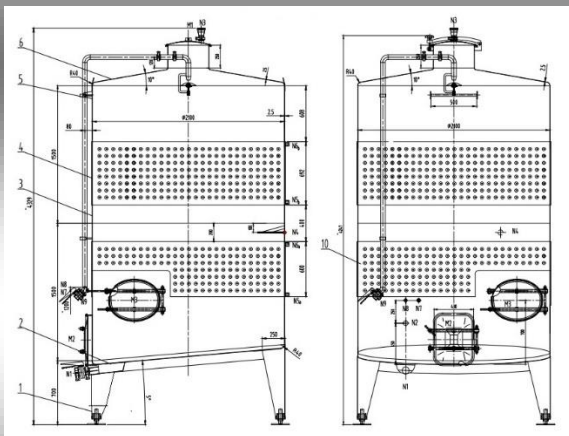


10,000 Litre Tank

- For red or white fermentation
- Dual zone jacket
- 76mm; 3" drain valve
- 51mm; 2" racking valve
- Tri-clover nozzles and butterfly style valves or as customer specified

Features

- 304 Stainless Steel
- 2B Interior/Exterior finish
- Polished finish available
- Sloped Floor
- Bottom clean-out door
- Optional side racking door
- Sample port & valve
- Thermowell with thermometer
- Riser with clean-in-place ball
- Optional filter grid for pump-overs



Dimensions

Height: 4.33 m; 14'3"

Plus 0.45m; 18" top door open

Diameter: 2.1 m; 6'11"

Ground to door: 0.7m; 27"